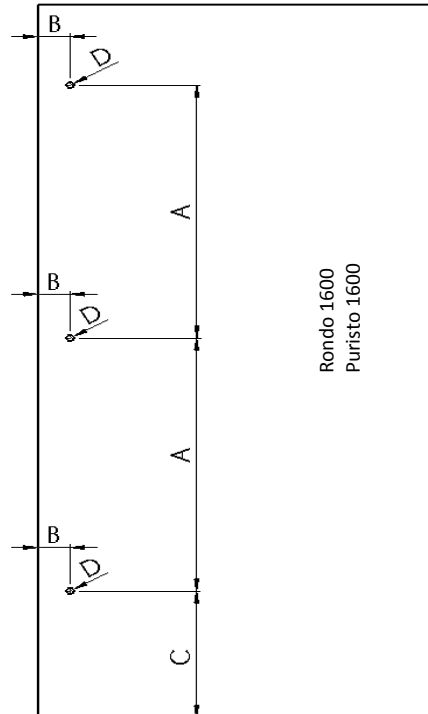
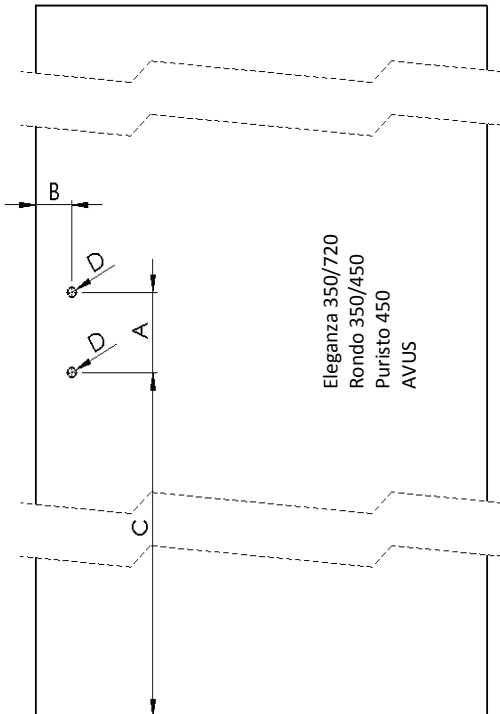
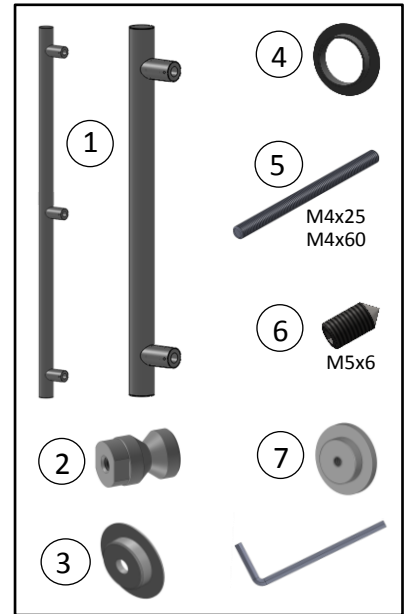
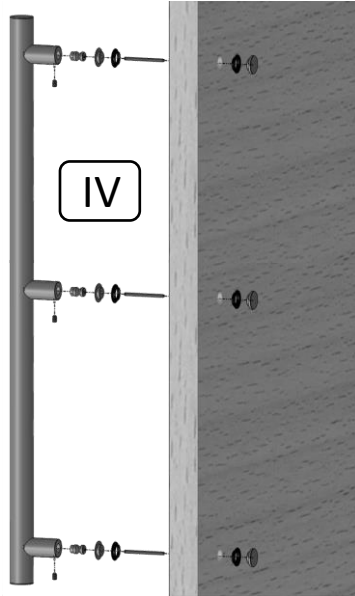
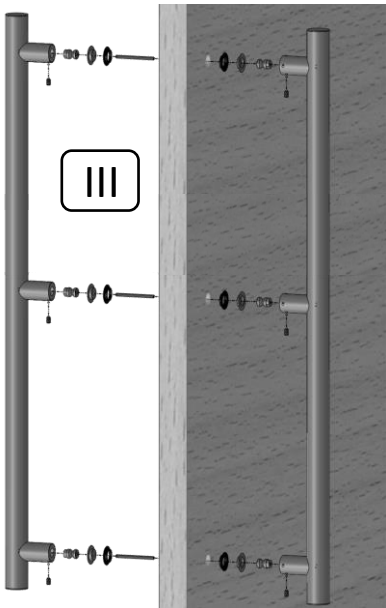
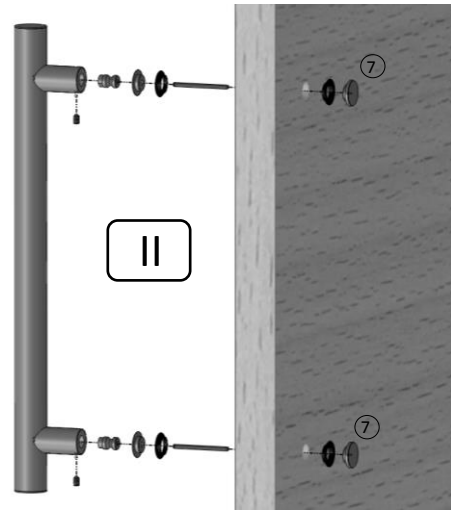
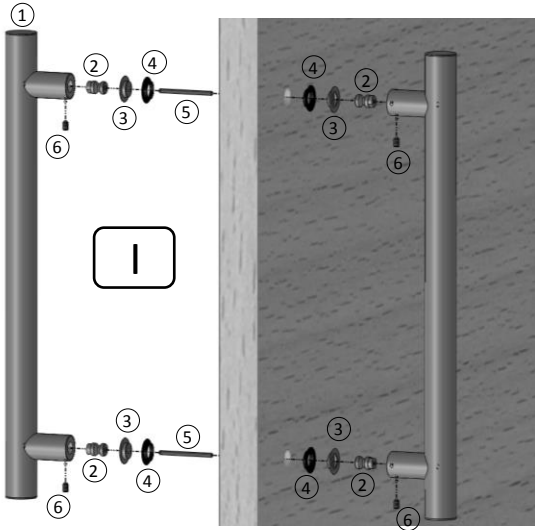


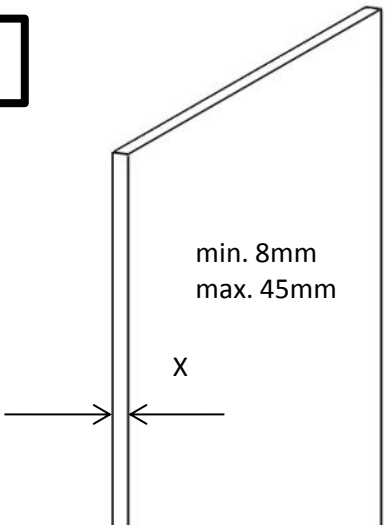
Eleganza / Rondo / Puristo / Avus



	A	B	C	D
Eleganza 350	150mm	75mm	975mm	18mm / 22mm
Eleganza 720	520mm	75mm	790mm	18mm / 22mm
Rondo 450	350mm	75mm	875mm	18mm / 22mm
Rondo 1600	700mm	75mm	350mm	18mm / 22mm
Puristo 450	350mm	75mm	875mm	18mm / 22mm
Puristo 1600	700mm	75mm	350mm	18mm / 22mm
AVUS	150mm	75mm	975mm	18mm / 22mm

Toleranzen Glasbearbeitung: Längenmaße: +/- 0,3 Bohrungs-φ: +0,0/-0,2

i

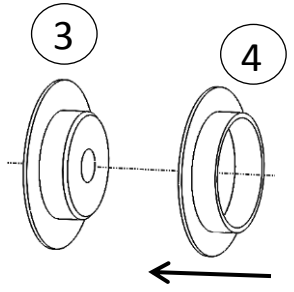


5

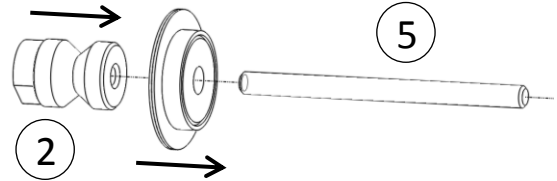


M4x25 = X: 8-12mm
M4x60 = X: 12-45mm

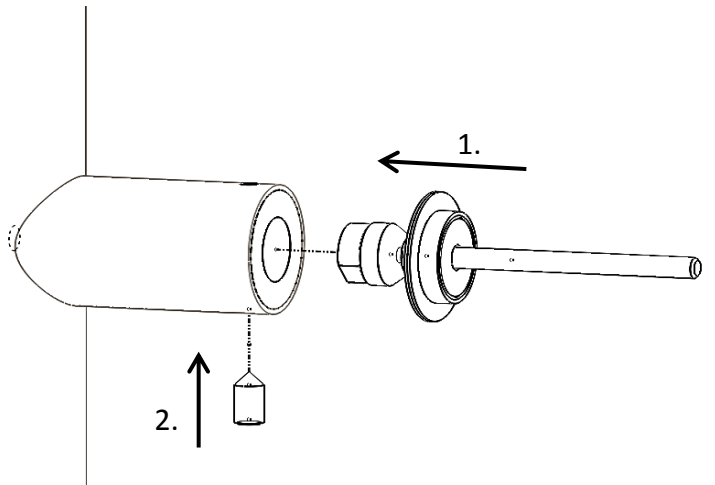
1



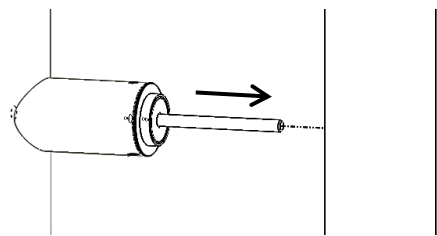
2



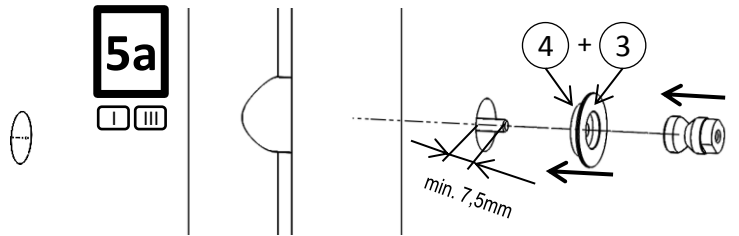
3



4

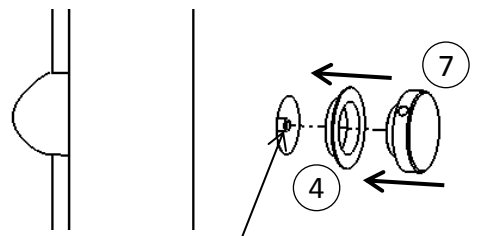


5a



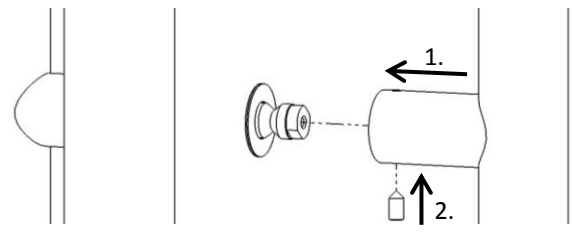
5b

II IV



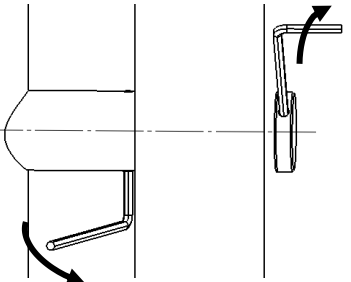
6a

I III



6b

II IV



7a

I III

